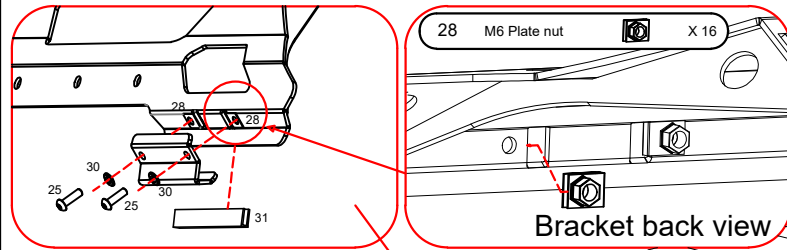
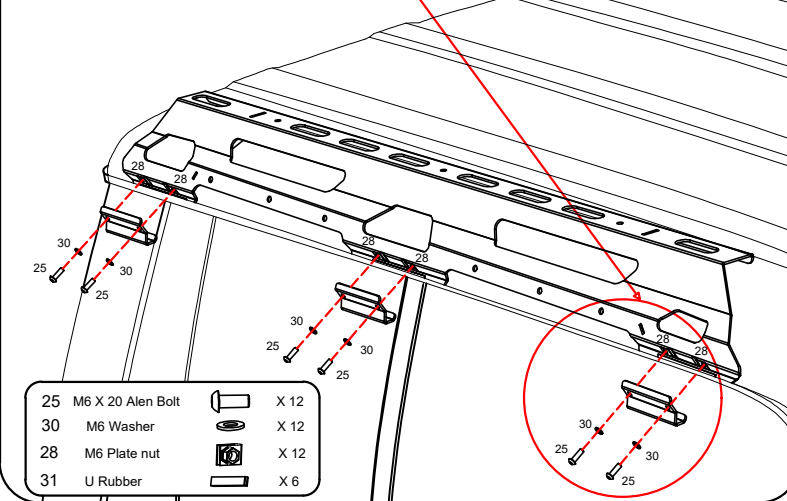


NOTE: Fit U rubber before place bracket on the roof.



Bracket back view

Bracket Fitment



- 25 M6 X 20 Allen Bolt X 12
- 30 M6 Washer X 12
- 28 M6 Plate nut X 12
- 31 U Rubber X 6

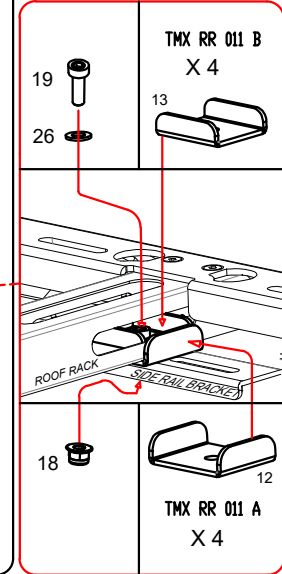
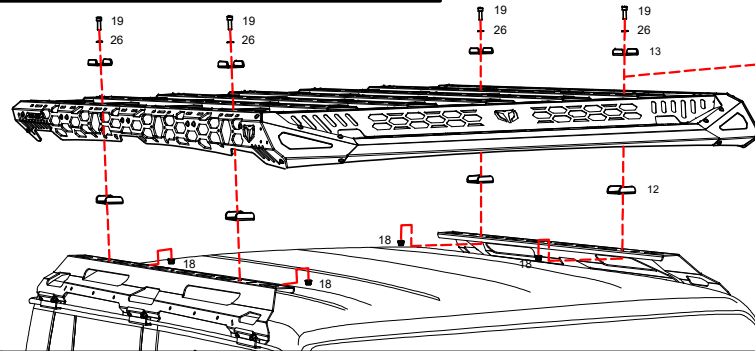
TOYOTA LC 79 S DC  
103339



TMX RR 103339 BRACKET BOLT KIT

Item N°	Part	Description	Qty
19	M8 x 25 Allen cap		4
26	M8 washer		4
18	M8 1.25 flange nylock nut		4
16	M6 X 20 Allen bolt		12
30	M6 washer		12
28	M6 Plate nut		12
31	U Rubber		6

- 19 M8 X 25 Allen Cap X 4
- 26 M8 Washer X 4
- 18 M8 Nylock Flange nut X 4



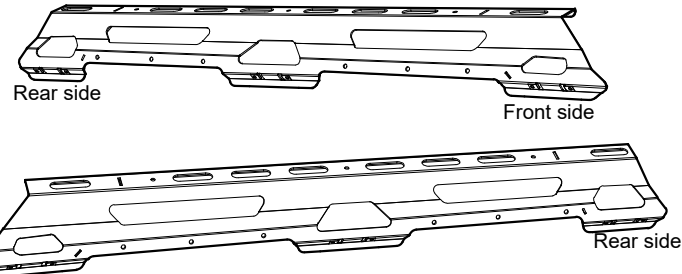
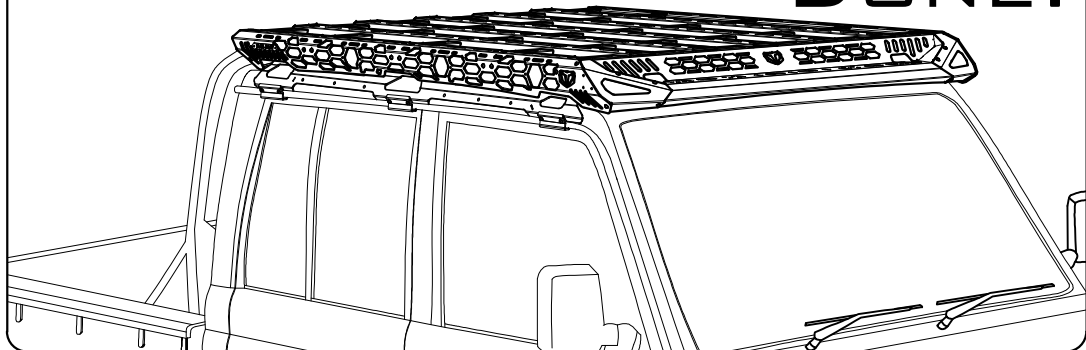
TMX RR 011 B  
X 4

TMX RR 011 A  
X 4

Tighten all M8 Allen cap bolts and M8 nuts using 6mm Allen key and 13mm Wrench.



**DONE!**



TMX RR 012 103338 LH-RH