

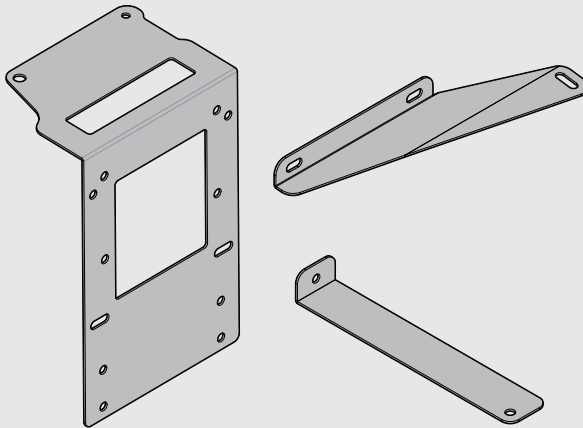
THE POWER OF

REDARC®

BCDCMB-103

Mounting Bracket for Selected
REDARC BCDC Battery Chargers

SUITABLE FOR TOYOTA LANDCRUISER PRADO 150
(2009-ONWARDS)



BCDC Alpha Mounting Bracket

Suitable for TOYOTA LandCruiser Prado 150

(2009-ONWARDS)

The REDARC **BCDCMB-103** Mounting Bracket is designed to install your BCDC Classic/BCDC Alpha Battery Charger close to an auxiliary battery mounted in the engine bay. Do not use if the battery is located elsewhere.

For maximum performance, mount your BCDC Classic/BCDC Alpha in the cool airflow at the front of your vehicle, away from high temperature areas.

The BCDC Alpha Mounting Bracket is constructed from durable stainless steel and has been designed to fit existing mounting points in your vehicle for ease of installation.

***NOTE:** The BCDC Alpha Mounting Brackets are only for engine bay designed Battery Chargers. DO NOT use the Mounting Bracket to install a BCDC Core Battery Charger (BCDCN1225, BCDCN1240).

WARNINGS AND SAFETY INFORMATION

SAVE THESE INSTRUCTIONS — this manual contains important safety instructions. Do not install the BCDC Alpha Mounting Bracket unless you have read and understood this manual.

REDARC recommends to review your vehicle to ensure this kit suits your vehicle's make and specifications.

REDARC recommends that the BCDC Alpha Mounting Brackets be installed by a suitably qualified person. It is the installers responsibility to ensure their installation complies with any applicable legal and regulatory requirements.

Disclaimer: REDARC accepts no liability for any injury, loss or property damage which may occur from the improper or unsafe installation and use of its products.

SAFETY MESSAGE CONVENTIONS

Safety messages in this manual include a signal word to indicate the level of the hazard as follows:

⚠ WARNING

Indicates a potentially hazardous situation which could result in death or serious injury to the operator or to bystanders.

⚠ CAUTION

Indicates a potentially hazardous situation which may result in moderate or minor injury to the operator or to bystanders.

NOTICE

Indicates a situation that may cause equipment damage.

⚠ WARNING

- Do not operate around the engine bay with the engine operating. Ensure the vehicle is OFF before mounting Battery Charger assembly.

⚠ CAUTION

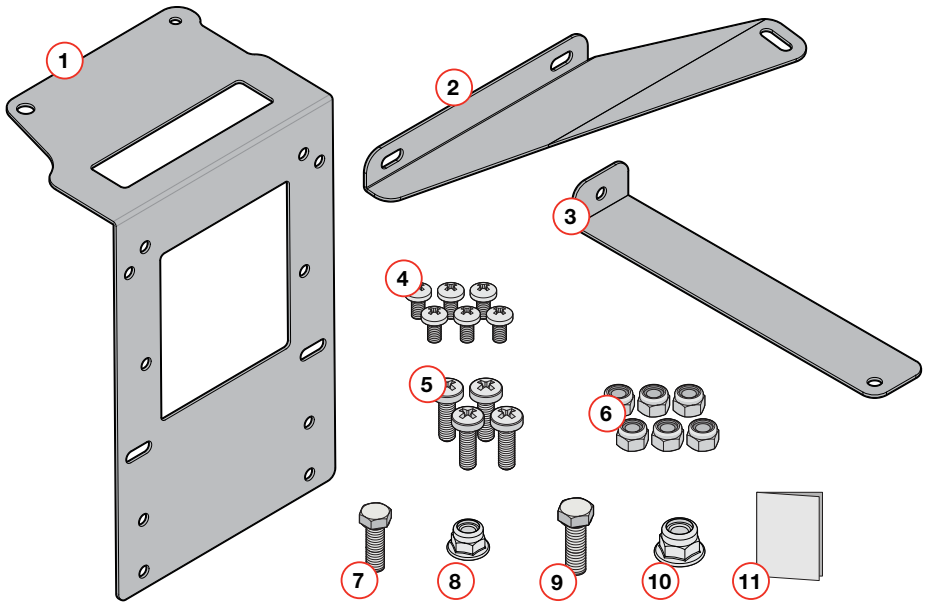
- Use Personal Protective Equipment (PPE). Wear appropriate clothing as well as eye protection when operating power tools.
- Take care when working in and around engine bay to avoid punch points, sharp edges and hot surfaces.



NOTICE

- Removing existing vehicle fixings may expose bare metal, resulting in rust. Retouch any exposed metal with rust inhibitor if it is not an earth connection.
- Damage to cabling can cause failure of the Battery Charger and vehicle electrical systems. Ensure wiring is clear of sharp edges and moving parts.

BCDC ALPHA MOUNTING BRACKET PARTS



1. Mounting Bracket — Part A

Supplied with 1 bracket.

2. Mounting Foot — Part B

Supplied with 1 foot.

3. Mounting Foot — Part C

Supplied with 1 foot.

See [page 5](#) to determine which mounting foot (B or C) to use for installation.

4. M6 x 12mm Pan Head Screw

Supplied with 6 screws.

5. M6 x 20mm Pan Head Screw

Supplied with 4 screws.

6. M6 Nyloc Locking Nut

Supplied with 6 nuts.

7. M6 x 20mm Hex Head Bolt

Supplied with 1 bolt.

8. M6 Flanged Nyloc Locking Nut

Supplied with 1 nut.

9. M8 x 20mm Hex Head Bolt

Supplied with 1 bolt.

10. M8 Flanged Nyloc Locking Nut

Supplied with 1 nut.

11. Installation Template

Supplied with 1 template.

RECOMMENDED TOOLS

The tools listed below are typically sufficient to complete the installation, however, some specific models may require more specialised tools.

- Metric Socket set (at least 10 mm and 12 mm socket) with extension bars.
- Metric Spanner 10mm, 12 mm and 13 mm.
- Medium (#3) Phillips-Head Screwdriver.

ASSEMBLY

ASSEMBLE THE MOUNTING BRACKET

The BCDC Alpha Mounting Bracket must be assembled then fitted to the Battery Charger before mounting to the vehicle. Do not install the BCDC Alpha Mounting Bracket to the vehicle first.

The model of your vehicle will determine which mounting foot to use with the Mounting Bracket. Assemble the BCDC Alpha Mounting Bracket and required Mounting Foot using M6 × 12 mm Pan Head Screws with Nyloc Locking Nuts.

For 10/2009–09/2013 vehicles

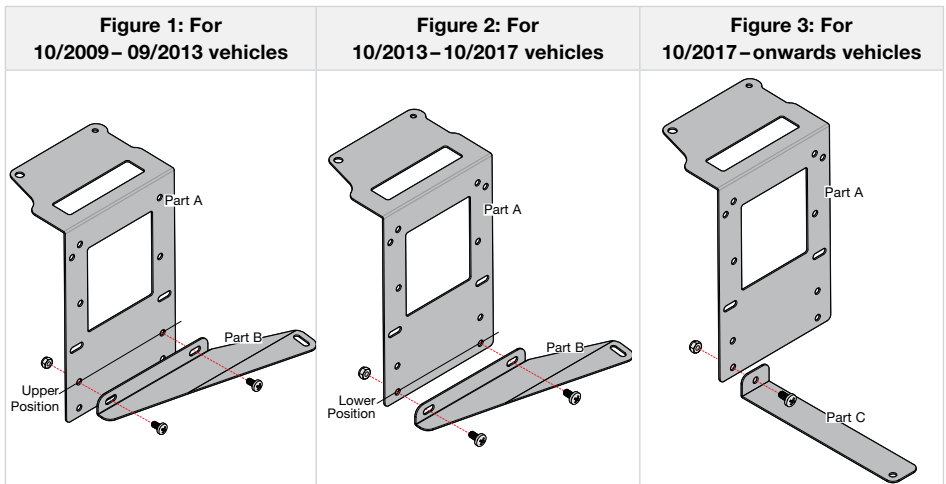
Assemble Part B Mounting Foot to the Mounting Bracket in the upper position as shown in [Figure 1](#).

For 09/2013–10/2017 vehicles

Assemble Part B Mounting Foot to the Mounting Bracket in the lower position as show in [Figure 2](#).

For 10/2017–onwards vehicles

Assemble Part C Mounting Foot to the Mounting Bracket as demonstrated in [Figure 3](#).



MOUNTING BATTERY CHARGER TO BRACKET

BCDC Classic Battery Charger

If mounting a BCDC Classic Battery Charger, use the supplied M6 × 12 mm Pan Head Bolts and M6 Nyloc Locking Nuts to secure the Battery Charger to the Mounting Bracket (see [Figure 4](#)).

BCDC Alpha Battery Charger

If mounting a BCDC Alpha Battery Charger, use the supplied M6 × 20 mm Pan Head Bolts and M6 Nyloc Locking Nuts to secure the Battery Charger to the Mounting Bracket (see [Figure 5](#)).

Figure 4: BCDC Classic to Mounting Bracket

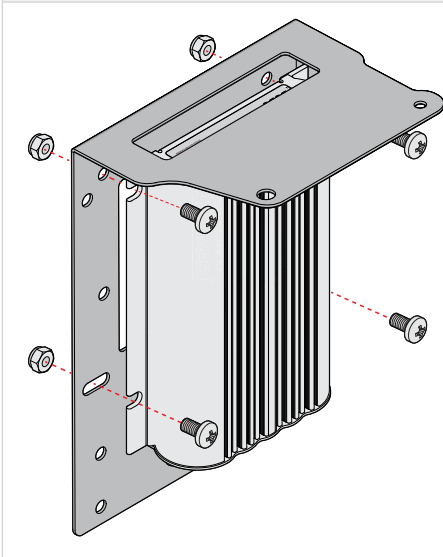
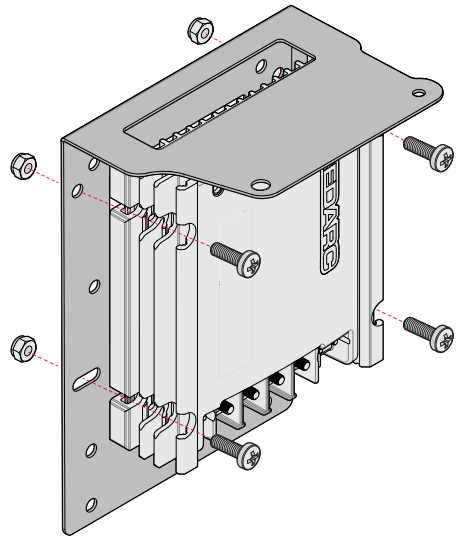


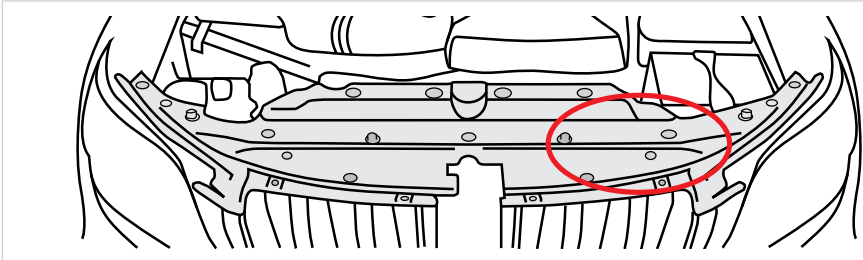
Figure 5: BCDC Alpha to Mounting Bracket



INSTALLATION LOCATION

The assembled Mounting Bracket and Battery Charger will be mounted on the left side of the vehicle (see [Figure 6](#)).

Figure 6: The Mounting Bracket Installation Location



PRIOR TO INSTALLATION

PLASTIC COVER REMOVAL

Remove the plastic cover by popping the 13 clips out and lifting the plastic cover clear and away from the vehicle as shown in [Figure 7](#).

Retain the clips for re-fitting the plastic cover after installing Mounting Bracket.

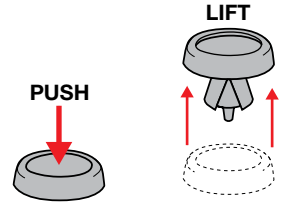
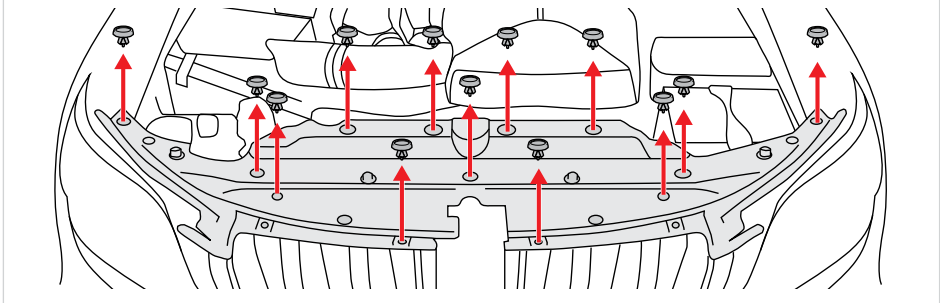


Figure 7: Removing Plastic Cover

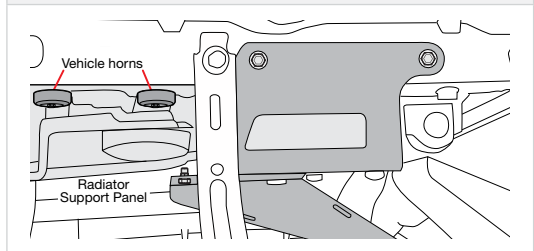


⚠ CAUTION: Take care when working in and around engine bay to avoid punch points, sharp edges and hot surfaces.

Before fitting the Mounting Bracket, check the location for fitted parts (for example, horns). Temporary removal of fitted parts may be required for installation. Any fitted parts removed must be reassembled once the Mounting Bracket installation is complete.

***NOTE:** The Mounting Bracket location in [Figure 8](#) is included for clarity.

Figure 8: Removing Vehicle Horns from Radiator Support Panel*



See '[Installation for Part B Mounting Foot](#)' (page 8) for installation instructions using Part B Mounting Foot and refer to '[Installation for Part C Mounting Foot](#)' (page 9) for installation instructions using Part C Mounting Foot.

INSTALLATION FOR PART B MOUNTING FOOT

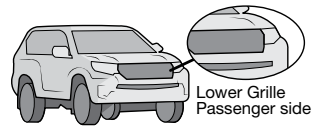
Follow this section when installing on vehicles manufactured between 10/2009 and 2017. For vehicles manufactured after this date, proceed to 'Installation for Part C Mounting Foot' (page 9).

FITTING THE MOUNTING BRACKET ASSEMBLY TO THE VEHICLE

NOTICE: Removing existing vehicle fixings may expose bare metal, resulting in rust. Retouch any exposed metal with rust inhibitor if it is not an earth connection.

To secure the Mounting Bracket assembly to the vehicle refer to [Figure 9](#) and adhere to the following steps:

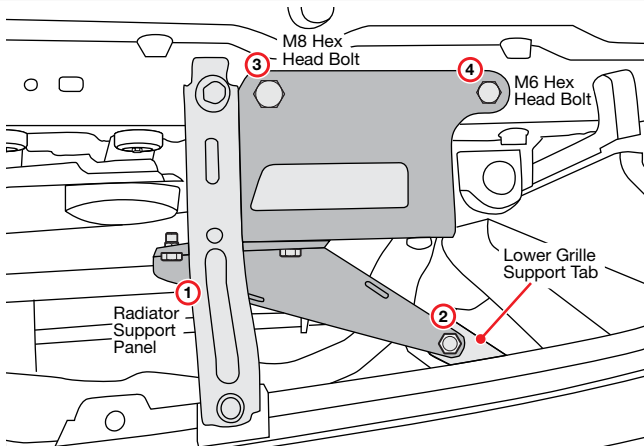
1. Remove the vehicle fixing from the far side of the lower grille support tab. Sit the Mounting Bracket assembly on the radiator support panel and align the lower mounting foot hole (1). Re-install the vehicle fixing and tighten to the vehicle manufacturers torque specifications (2).



2. Use the provided M8 Hex Head Bolt and M8 Flanged Nyloc Locking Nut to fasten the right mounting point to the radiator support panel (3).
3. Fasten the left mounting point to the radiator support panel using the supplied M6 Hex Head Bolt with the M6 Flanged Nyloc Locking Nut (4).
4. Tighten the M6 Bolt to 7.5 Nm (5.5 lbf-ft) and the M8 Bolt to the 15 Nm (11.0 lbf-ft).

To finish installing the Mounting Bracket assembly proceed to [page 10](#).

Figure 9: Fitting the Mounting Bracket Assembly to the Vehicle



INSTALLATION FOR PART C MOUNTING FOOT

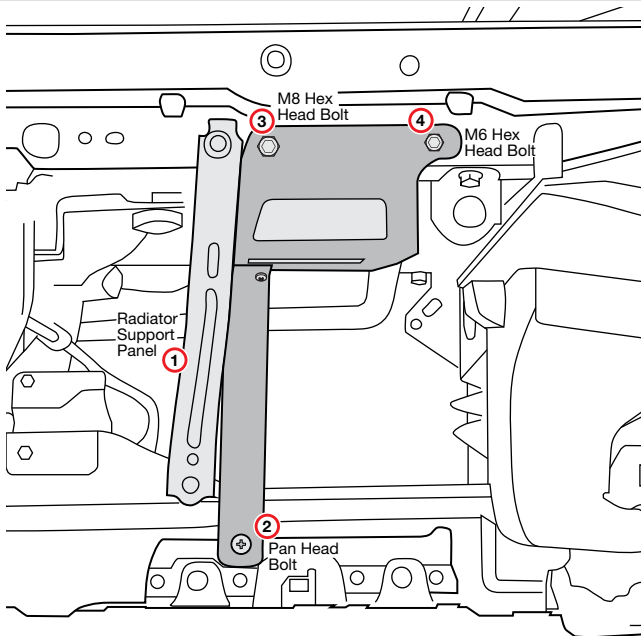
Follow this installation for vehicles manufactured from 10/2017 onwards.

FITTING THE MOUNTING BRACKET ASSEMBLY TO VEHICLE

To secure the Mounting Bracket assembly to the vehicle refer to **Figure 10** and adhere to the following steps:

1. Sit the Mounting Bracket assembly on the radiator support panel and align the lower mounting foot hole (1).
2. Fasten the mounting foot using the provided M6 Pan Head Bolt and Nyloc Locking Nut (2).
3. Use the provided M8 Hex Head Bolt and M8 Flanged Nyloc Locking Nut to fasten the right mounting point to the radiator support panel (3).
4. Fasten the left mounting point to the radiator support panel using the supplied M6 Hex Head Bolt with the M6 Flanged Nyloc Locking Nut (4).
5. Tighten the M6 Bolts to 7.5 Nm (5.5 lbf-ft) and the M8 Bolt to 15 Nm (11.0 lbf-ft).

Figure 10: Fastening Bracket to Vehicle

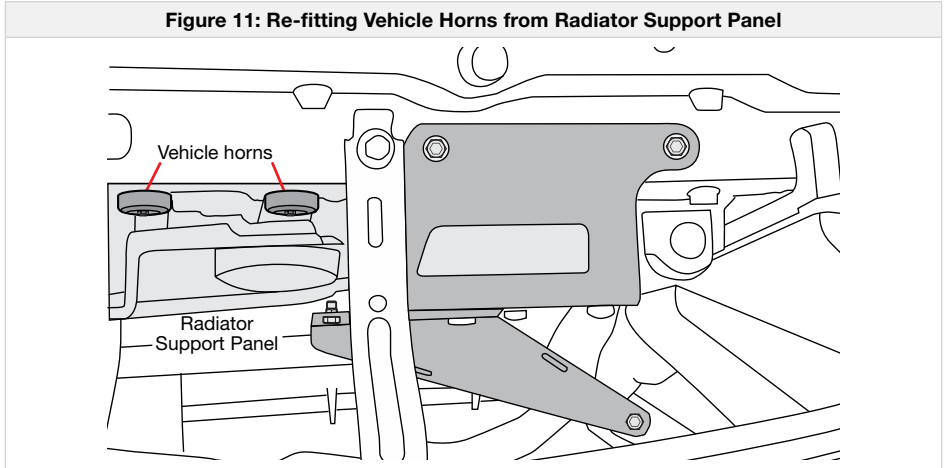


FINALISING INSTALLATION

Where required, re-fit the parts temporarily removed from the vehicle. In instances where one vehicle horn fitting location is compromised, it is possible to fit them together in one fixing point, for example fitting them back-to-back.

NOTE: The front facing horn can be bent slightly forward to prevent vibration. A quick sound check will confirm placement is correct.

Figure 11: Re-fitting Vehicle Horns from Radiator Support Panel



CUTTING AN INSPECTION HOLE IN THE PLASTIC COVER

⚠ CAUTION: Use Personal Protective Equipment (PPE). Wear appropriate clothing as well as eye protection when operating power tools.



Before fitting the plastic cover back to the vehicle, use the supplied template to create an inspection hole to view the status of your Battery Charger. Follow the instructions and marking on the provided template, cut the inspection hole away from the vehicle.

1. Align the template onto the plastic cover.
2. Mark the 4 holes and cut neatly between the holes to create the inspection window of your Battery Charger. REDARC recommend using a centre punch/scribe to mark the holes and a small, serrated blade or reciprocating saw for cutting the cover. De-burr rough edges.

IMPORTANT: The supplied template is at a 1:1 scale. Altering this scale (e.g. photocopying) could result in the wrong size hole being cut in the plastic cover. Measure the printed scale/ruler guide on the template sheet to confirm that the scale is correct before modifying the plastic cover.

BATTERY CHARGER WIRING

NOTICE: Damage to cabling can cause failure to the Battery Charger and the vehicle's electrical system. Ensure wiring is clear of sharp edges, moving parts and has enough slack to allow for flexing.

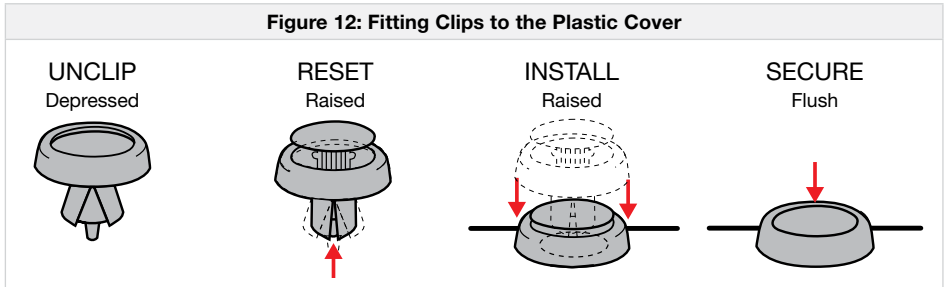
Complete the required wiring in accordance with your Battery Charger's instruction manual then sit the plastic cover in place.

FITTING THE PLASTIC COVER

Check the inspection hole for alignment with the Battery Charger's front panel and if required remove the plastic cover from the vehicle to trim excess plastic.

Re-fit the plastic cover to the vehicle with the clips removed during cover removal. These clips are secured when the centres are flush with the outer edge of the clip.

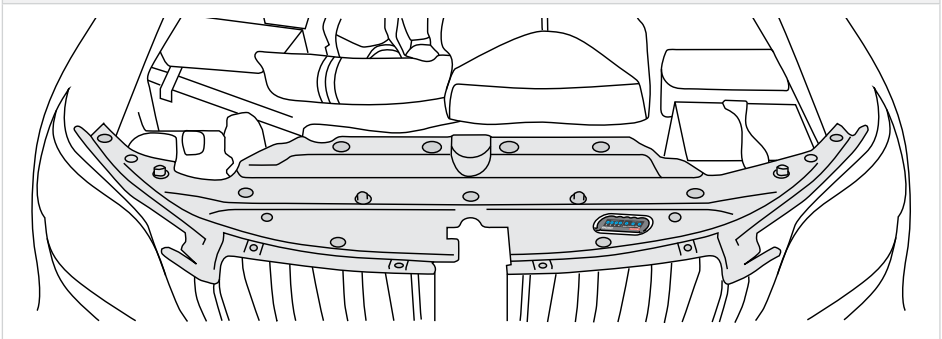
Figure 12: Fitting Clips to the Plastic Cover



COMPLETED INSTALLATION

Once the plastic cover is fitted back to the vehicle the installation is complete.

Figure 13: Completed Installation



MAINTENANCE

⚠ CAUTION: Ensure the area around the Battery Charger is clean and clear of debris. Any debris not removed will impair the performance of the unit and may cause a fire hazard.

NOTE: Regularly check your vehicle to avoid potential damage to the Battery Charger, your vehicle, and batteries (both auxiliary and starter).

WARRANTY

LIMITED WARRANTY

For full warranty terms and conditions, visit the Warranty page of the REDARC website. Refer to the web address and contact details applicable to your region.

Australia, New Zealand, UK & Europe

www.redarc.com.au/warranty

REDARC Electronics Pty Ltd
23 Brodie Road (North),
Lonsdale SA 5160
Australia

North America

www.redarcelectronics.com/warranty

REDARC Corporation
c/o Shallco, Inc.
308 Component Dr.
Smithfield, NC 27577
USA

Australia +61 8 8322 4848
New Zealand +64 9 222 1024
UK & Europe +44 (0)20 3930 8109

USA +1 (704) 247-5150
Canada +1 (604) 260-5512
Mexico +52 (558) 526-2898

IMPORTER CONTACT INFORMATION

UK

Ozparts UK Ltd
1 Prospect Place
Pride Park
DE24 8HG, Derby
UK

Europe

Ozparts Sp. z o. o. Sp. kom.
Slowackiego 32/5
87-100 Torun
Poland

For written request please email power@redarcelectronics.eu

Tech Support

1300 REDARC (1300-733-272)

Australia

+61 8 8322 4848

New Zealand

+64 9 222 1024

UK & Europe

+44 (0)20 3930 8109

USA

+1 (704) 247-5150

Canada

+1 (604) 260-5512

Mexico

+52 (558) 526-2898

redarcelectronics.com

THE POWER OF

REDARC[®]