

THE POWER OF

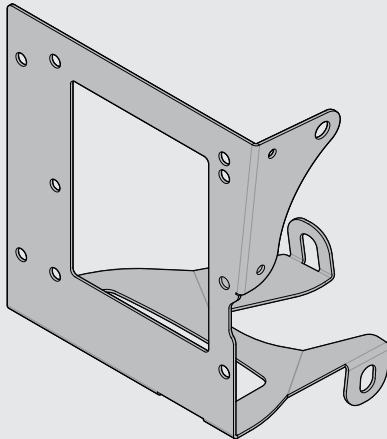
REDARC[®]

BCDCMB-105

Mounting Bracket for Selected
REDARC BCDC Battery Chargers

SUITABLE FOR TOYOTA HILUX

(10/2015-PRESENT)



BCDC Alpha Mounting Bracket

Suitable for TOYOTA Hilux

(10/2015-PRESENT)

The REDARC **BCDCMB-105** Mounting Bracket is designed to install your BCDC Classic/BCDC Alpha Battery Charger close to an auxiliary battery mounted in the engine bay. Do not use if the battery is located elsewhere.

For maximum performance, mount your BCDC Classic/BCDC Alpha in the cool airflow at the front of your vehicle, away from high temperature areas.

The BCDC Alpha Mounting Bracket is constructed from durable stainless steel and has been designed to fit existing mounting points in your vehicle for ease of installation.

***NOTE:** The BCDC Alpha Mounting Brackets are only for engine bay designed Battery Chargers. DO NOT use the Mounting Bracket to install a BCDC Core Battery Charger (BCDCN1225, BCDCN1240).

WARNINGS AND SAFETY INFORMATION

SAVE THESE INSTRUCTIONS — this manual contains important safety instructions.

Do not install the BCDC Alpha Mounting Bracket unless you have read and understood this manual.

REDARC recommends to review your vehicle to ensure this kit suits your vehicle's make and specifications.

REDARC recommends that the BCDC Alpha Mounting Brackets be installed by a suitably qualified person. It is the installers responsibility to ensure their installation complies with any applicable legal and regulatory requirements.

Disclaimer: REDARC accepts no liability for any injury, loss or property damage which may occur from the improper or unsafe installation or use of its products.

SAFETY MESSAGE CONVENTIONS

Safety messages in this manual include a signal word to indicate the level of the hazard as follows:

▲ WARNING

Indicates a potentially hazardous situation which could result in death or serious injury to the operator or to bystanders.

▲ CAUTION

Indicates a potentially hazardous situation which may result in moderate or minor injury to the operator or to bystanders.

NOTICE

Indicates a situation that may cause equipment damage.

▲ WARNING

- Do not operate around the engine bay with the engine operating. Ensure the vehicle is OFF before mounting Battery Charger assembly.

▲ CAUTION

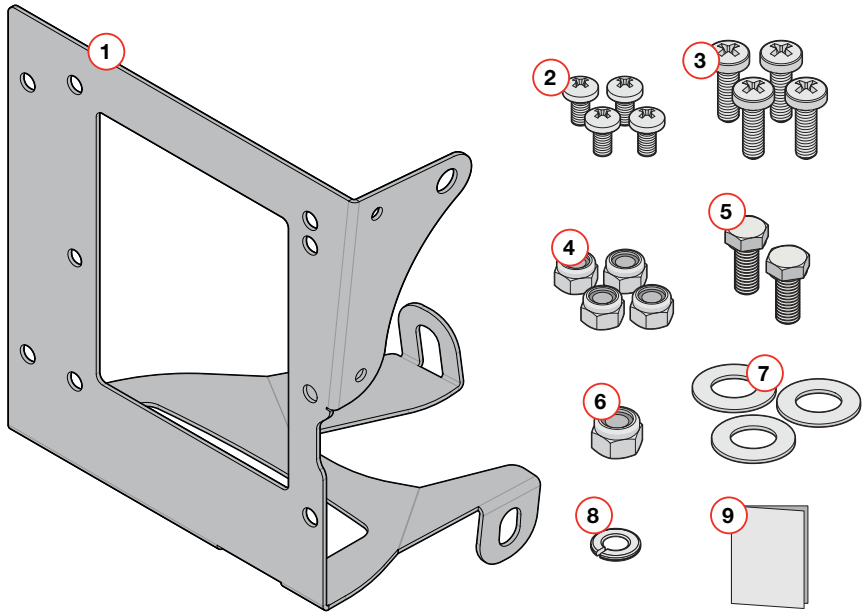
- Use Personal Protective Equipment (PPE). Wear appropriate clothing as well as eye protection when operating power tools.
- Take care when working in and around engine bay to avoid punch points, sharp edges and hot surfaces.



NOTICE

- Removing existing vehicle fixings may expose bare metal, resulting in rust. Retouch any exposed metal with rust inhibitor if it is not an earth connection.
- Damage to cabling can cause failure of the Battery Charger and vehicle electrical systems. Ensure wiring is clear of sharp edges and moving parts.

BCDC ALPHA MOUNTING BRACKET PARTS



1. Mounting Bracket
Supplied with 1 bracket

2. M6 x 12 mm Pan Head Bolt
Supplied with 4 bolts

3. M6 x 20 mm Pan Head Bolt
Supplied with 4 bolts

4. M6 Nyloc Locking Nut
Supplied with 4 nuts

5. M8 x 20 Hex Head Bolt
Supplied with 2 bolts

6. M8 Nyloc Locking Nut
Supplied with 1 nut

7. M8 Flat Washer
Supplied with 3 washers

8. M8 Spring Washer
Supplied with 1 washer

9. Installation Template
Supplied with 1 template

RECOMMENDED TOOLS

The tools listed below are typically sufficient to complete the installation, however, some specific models may require more specialised tools.

- Metric Socket set (at least 10 mm and 12 mm socket) with extension bars.
- Metric Spanner 10 mm, 12 mm and 13 mm.
- Medium (#3) Phillips-Head Screwdriver.

ASSEMBLY

ASSEMBLE THE MOUNTING BRACKET

The BCDC Alpha Mounting Bracket must be bolted and fitted to the Battery Charger before mounting to the vehicle. Do not install the BCDC Alpha Mounting Bracket to the vehicle first.

BCDC Classic Battery Charger

If mounting a BCDC Classic Battery Charger, use the supplied M6 × 12 mm Pan Head Bolts and M6 Nyloc Locking Nuts to secure the Battery Charger to the Mounting Bracket (see [Figure 1](#)).

BCDC Alpha Battery Charger

If mounting a BCDC Alpha Battery Charger, use the supplied M6 × 20 mm Pan Head Bolts and M6 Nyloc Locking Nuts to secure the Battery Charger to the Mounting Bracket (see [Figure 2](#)).

Figure 1: BCDC Classic to Mounting Bracket

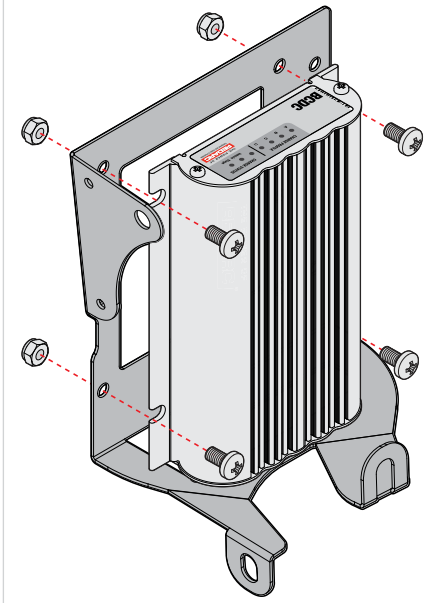
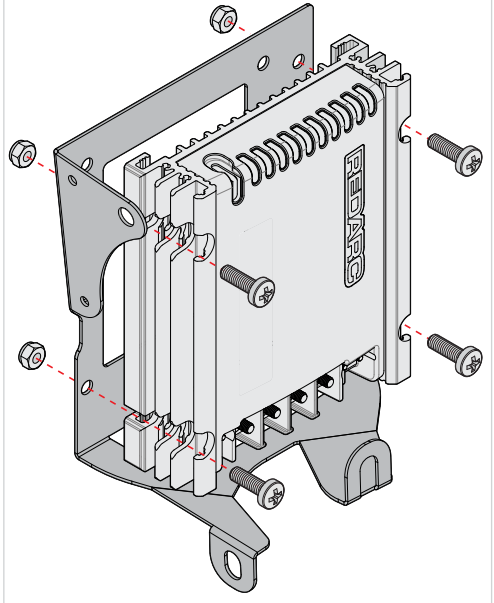


Figure 2: BCDC Alpha to Mounting Bracket

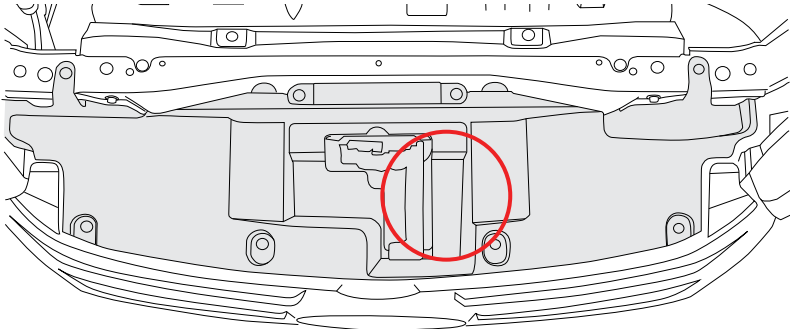


PRIOR TO INSTALLATION

LOCATION OF INSTALLATION

The assembled Mounting Bracket will be installed centrally (see [Figure 3](#)).

Figure 3: The Mounting Bracket Installation Location



REMOVE COVER PANEL

Remove the cover panel by popping the 8 clips out as shown in [Figure 4](#). Lift the cover panel clear and away from the vehicle.

Retain the clips for re-fitting the cover panel after installing Mounting Bracket assembly.

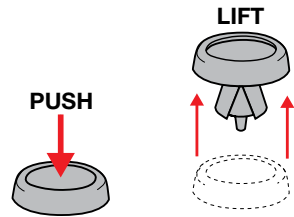
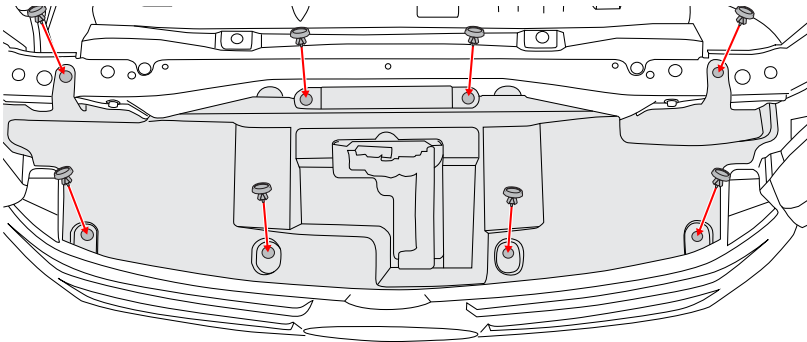


Figure 4: Removing Cover Panel



COMPLETE BATTERY CHARGER WIRING

NOTICE: Damage to cabling can cause failure to the Battery Charger and the vehicle's electrical system. Ensure wiring is clear of sharp edges, moving parts and has enough slack to allow for flexing.

Fit the Battery Charger with the wiring connected to the bracket before mounting in the vehicle. It is difficult to access the Battery Charger once the bracket is installed.

Complete the required wiring in accordance with your Battery Charger's instruction manual.

INSTALLATION

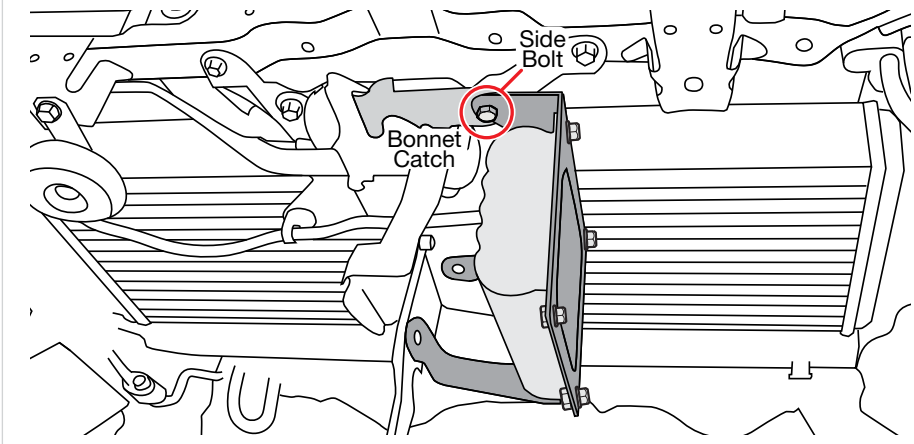
⚠ CAUTION: Take care when working in and around engine bay to avoid punch points, sharp edges and hot surfaces.

NOTICE: Removing existing vehicle fixings may expose sharp surfaces and bare metal resulting in rust. Retouch any exposed metal with rust inhibitor if it is not an earth connection.

Remove the side bolt attached to the bonnet catch, this bolt will be used to secure the top mounting point. Position the Mounting Bracket assembly so the top mounting point is in line with the bonnet catch bolt (see [Figure 5](#)).

Secure the top mounting point by re-fitting the bolt.

Figure 5: Securing Mounting Bracket Assembly to Bonnet Catch

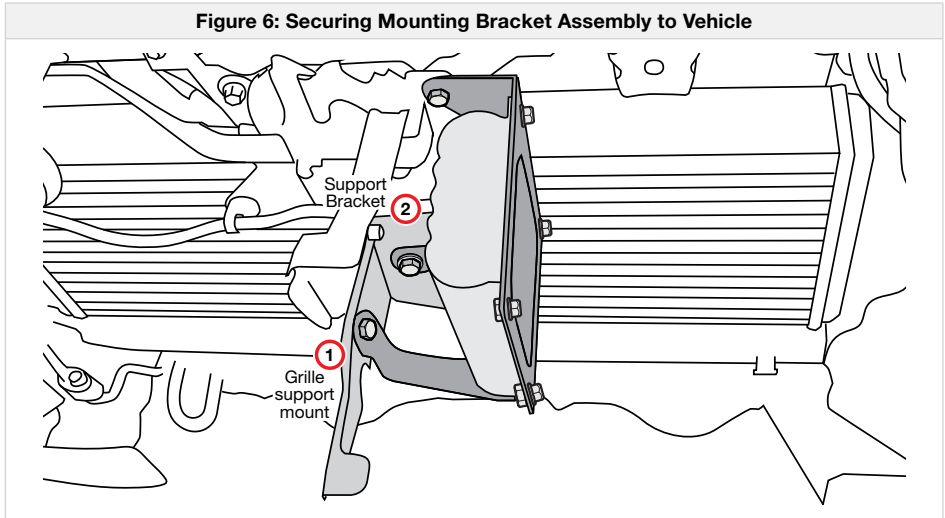


SECURING MOUNTING BRACKET TO VEHICLE

To secure the two low mounting points of the Mounting Bracket assembly, refer to [Figure 6](#) and adhere to the following steps:

1. Fit the supplied M8 × 20 mm Hex Head Bolt with a Flat Washer and Nyloc Locking Nut to the grille support mount.
2. Fit the other M8 × 20 mm Hex Head Bolt with a Spring Washer and Flat Washer to the support bracket with captive nut.
3. Tighten both Hex Head Bolts to 5Nm (3.7 lbf-ft) to secure the Mounting Bracket assembly.
4. Ensure bonnet catch bolt is tightened correctly to the vehicle manufacturer's torque specifications.

Figure 6: Securing Mounting Bracket Assembly to Vehicle



CUTTING AN INSPECTION HOLE IN THE COVER PANEL

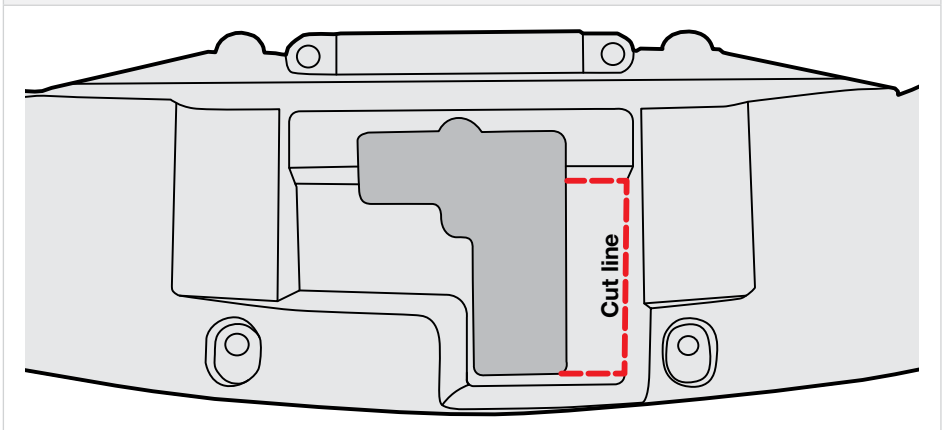
⚠ CAUTION: Use Personal Protective Equipment (PPE). Wear appropriate clothing as well as eye protection when operating power tools.



Before re-fitting the cover panel back to the vehicle, create an inspection hole to view the status of your Battery Charger. Follow the instructions below, ensuring you cut the inspection hole away from the vehicle.

1. Refer to cut-line area shown in [Figure 7](#).
2. Mark the area and cut neatly to create the inspection window for your Battery Charger. REDARC recommend using a centre punch/scribe and a small, serrated blade or reciprocating saw for cutting the cover; and de-burr rough edges.

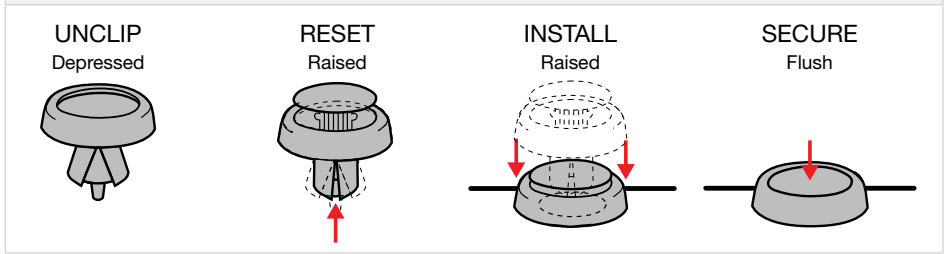
Figure 7: Aligning the Template



FITTING THE COVER PANEL

Check the inspection hole for alignment with the Battery Charger's front panel and if required remove the cover panel from the vehicle to trim excess plastic. Re-fit the cover panel and secure with the clips removed during cover removal. These clips are secured when the centres are flush with the outer edge of the clip.

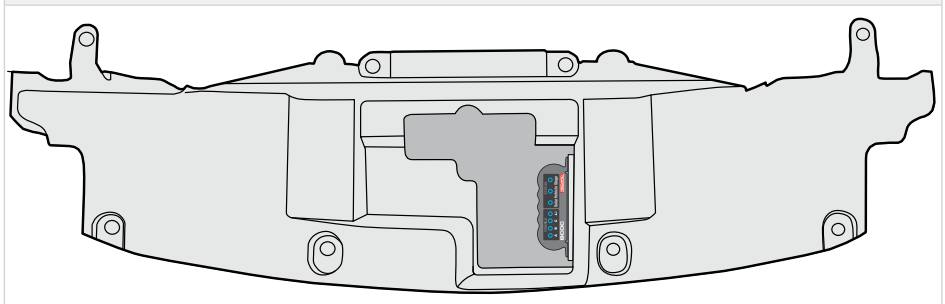
Figure 8: Fitting Clips to the Cover Panel



COMPLETED INSTALLATION

Once the cover panel is fitted back to the vehicle, the installation is complete.

Figure 9: Completed Installation



MAINTENANCE

CAUTION: Ensure the area around the Battery Charger is clean and clear of debris. Any debris not removed will impair the performance of the unit and may cause a fire hazard.

NOTE: Regularly check your vehicle to avoid potential damage to the Battery Charger, your vehicle and batteries (both auxiliary and starter).

WARRANTY

LIMITED WARRANTY

For full warranty terms and conditions, visit the Warranty page of the REDARC website.

www.redarcelectronics.com/warranty

Australia, New Zealand, UK & Europe

REDARC Electronics Pty Ltd
23 Brodie Road (North),
Lonsdale SA 5160
Australia

Australia +61 8 8322 4848
New Zealand +64 9 222 1024
UK & Europe +44 (0)20 3930 8109

North America

REDARC Corporation
c/o Shalco, Inc.
308 Component Dr.
Smithfield, NC 27577
USA

USA +1 (704) 247-5150
Canada +1 (604) 260-5512
Mexico +52 (558) 526-2898

IMPORTER CONTACT INFORMATION

UK

Ozparts UK Ltd
1 Prospect Place
Pride Park
DE24 8HG, Derby
UK

For written request please email power@redarcelectronics.eu

Europe

Ozparts Sp. z o. o. Sp. kom.
Slowackiego 32/5
87-100 Torun
Poland

Tech Support

1300 REDARC (1300-733-272)

Australia

+61 8 8322 4848

New Zealand

+64 9 222 1024

UK & Europe

+44 (0)20 3930 8109

USA

+1 (704) 247-5150

Canada

+1 (604) 260-5512

Mexico

+52 (558) 526-2898

redarcelectronics.com

THE POWER OF

REDARC®