

THE POWER OF

REDARC®

BCDCMB-112

Mounting Bracket for Selected
REDARC BCDC Battery Chargers

SUITABLE FOR:

FORD RANGER NEXT GEN

(2022-ONWARDS)

FORD RANGER RAPTOR NEXT GEN

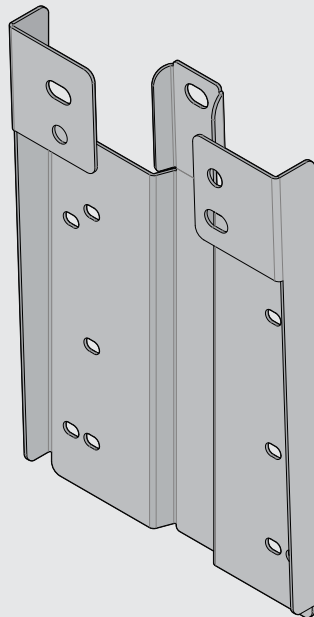
(2022-ONWARDS)

FORD EVEREST NEXT GEN

(V6 MODELS ONLY 2022-ONWARDS)

VOLKSWAGEN AMAROK

(03/2023-ONWARDS)



BCDC Alpha Mounting Bracket

SUITABLE FOR:

FORD RANGER NEXT GEN (2022-ONWARDS)

FORD RANGER RAPTOR NEXT GEN (2022-ONWARDS)

FORD EVEREST NEXT GEN (V6 MODELS ONLY 2022-ONWARDS)

VOLKSWAGEN AMAROK (03/2023-ONWARDS)

The REDARC **BCDCMB-112** Mounting Bracket is designed to install your BCDC Classic/BCDC Alpha Battery Charger* close to an auxiliary battery mounted in the engine bay. Do not use if the battery is located elsewhere.

For maximum performance, mount your BCDC Classic/BCDC Alpha in the cool airflow at the front of your vehicle, away from high temperature areas.

The BCDC Alpha Mounting Bracket is constructed from durable stainless steel and has been designed to fit existing mounting points in your vehicle for ease of installation.

***NOTE:** The BCDC Alpha Mounting Brackets are only for engine bay designed Battery Chargers. DO NOT use the Mounting Bracket to install a BCDC Core Battery Charger (BCDCN1225, BCDCN1240).

WARNINGS AND SAFETY INFORMATION

SAVE THESE INSTRUCTIONS — this manual contains important safety instructions. Do not install the BCDC Alpha Mounting Bracket unless you have read and understood this manual.

REDARC recommends to review your vehicle to ensure this kit suits your vehicle's make and specifications.

REDARC recommends that the BCDC Alpha Mounting Brackets be installed by a suitably qualified person. It is the installers responsibility to ensure their installation complies with any applicable legal and regulatory requirements.

Disclaimer: REDARC accepts no liability for any injury, loss or property damage which may occur from the improper or unsafe installation or use of its products.

SAFETY MESSAGE CONVENTIONS

Safety messages in this manual include a signal word to indicate the level of the hazard as follows:

⚠ WARNING

Indicates a potentially hazardous situation which could result in death or serious injury to the operator or to bystanders.

⚠ CAUTION

Indicates a potentially hazardous situation which may result in moderate or minor injury to the operator or to bystanders.

NOTICE

Indicates a situation that may cause equipment damage.

⚠ WARNING

- Do not operate around the engine bay with the engine operating. Ensure the vehicle is OFF before mounting Battery Charger assembly.

⚠ CAUTION

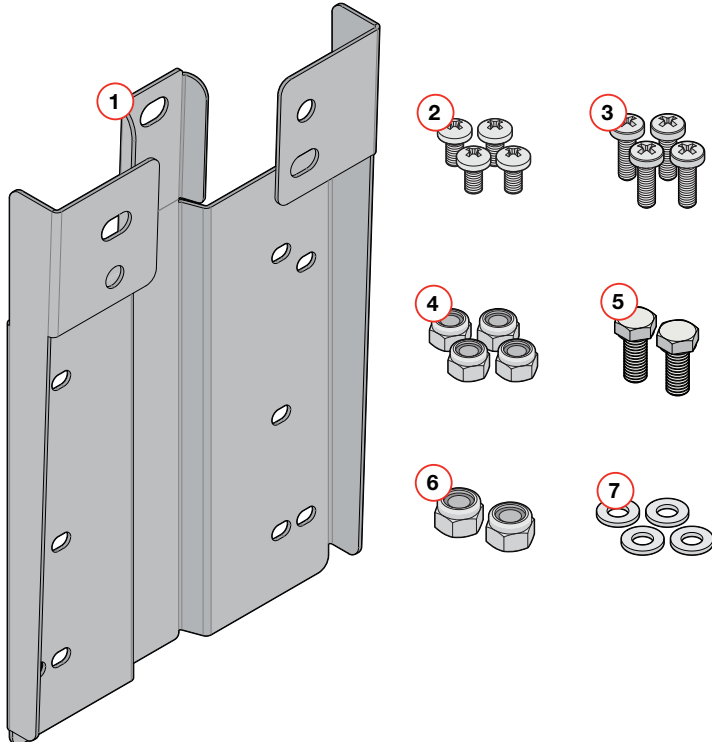
- Use Personal Protective Equipment (PPE). Wear appropriate clothing as well as eye protection when operating power tools.
- Take care when working in and around engine bay to avoid punch points, sharp edges and hot surfaces.



NOTICE

- Removing existing vehicle fixings may expose bare metal, resulting in rust. Retouch any exposed metal with rust inhibitor if it is not an earth connection.
- Damage to cabling can cause failure of the Battery Charger and vehicle electrical systems. Ensure wiring is clear of sharp edges and moving parts.

BCDC ALPHA MOUNTING BRACKET PARTS



1. Mounting Bracket

Supplied with 1 bracket.

2. M6 x 12mm Pan Head Screw

Supplied with 4 screws.

3. M6 x 20mm Pan Head Screw

Supplied with 4 screws.

4. M6 Nyloc Locking Nut

Supplied with 4 nuts.

5. M8 x 20mm Hex Head Bolt

Supplied with 2 bolt.

6. M8 Nyloc Locking Nut

Supplied with 2 nuts.

7. M8 x 20mm Washer

Supplied with 4 washers.

RECOMMENDED TOOLS

The tools listed below are typically sufficient to complete the installation, however, some specific models may require more specialised tools.

- Metric Socket set (at least 10mm and 12mm socket) with extension bars.
- Metric Spanner 10mm, 12mm and 13mm.
- Medium (#3) Phillips-Head Screwdriver.

ASSEMBLY

ASSEMBLING BATTERY CHARGER TO BRACKET

The BCDC Alpha Mounting Bracket must be fitted to the Battery Charger before mounting to the vehicle. Do not install the BCDC Alpha Mounting Bracket to the vehicle first.

BCDC Classic Battery Charger

If mounting a BCDC Classic, use the supplied M6 × 12 mm Pan Head Bolts and M6 Nyloc Locking Nuts to secure the Battery Charger to the Mounting Bracket as demonstrated in [Figure 1](#)

BCDC Alpha Battery Charger

If mounting a BCDC Alpha, use the supplied M6 × 20 mm Pan Head Bolts and M6 Nyloc Locking Nuts to secure the Battery Charger to the Mounting Bracket as demonstrated in [Figure 2](#)

Figure 1: BCDC to Mounting Bracket

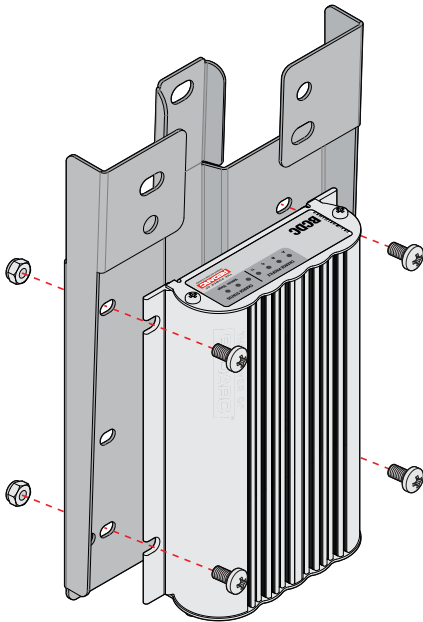
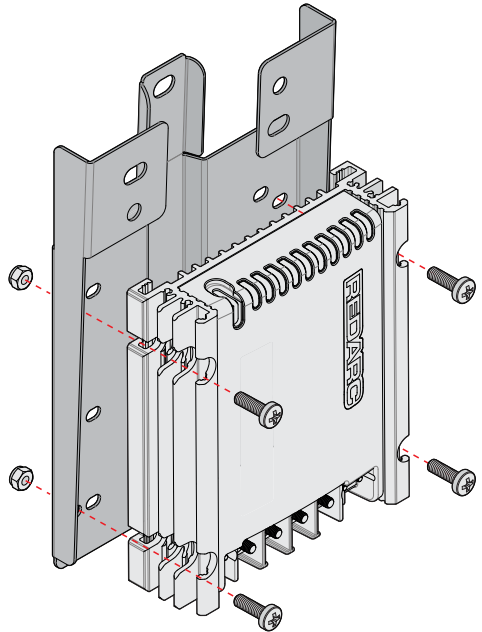


Figure 2: BCDC Alpha to Mounting Bracket

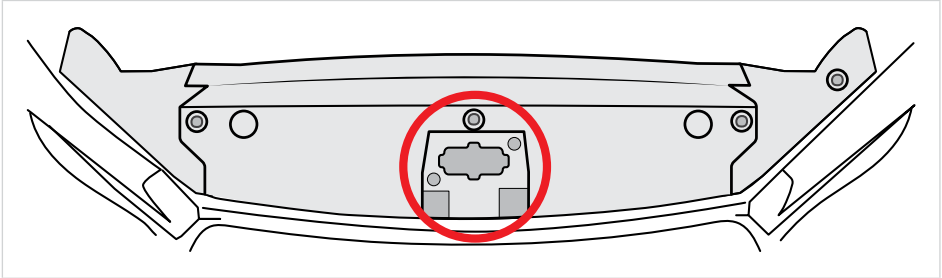


PRIOR TO INSTALLATION

INSTALLATION LOCATION

The assembled Mounting Bracket and Battery Charger will be mounted in the centre of the grille in front of the radiator.

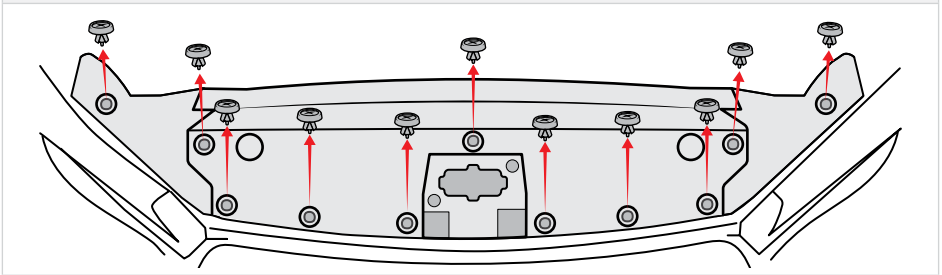
Figure 3: Installation Location



REMOVING COVER PANEL

Remove the cover panel by removing all screw clips (see Figure 4). To remove these, unscrew the centre of each clip and they will lift out. Remove the cover panel away from the vehicle and retain the screw clips for re-fitting.

Figure 4: Removing Cover Panel

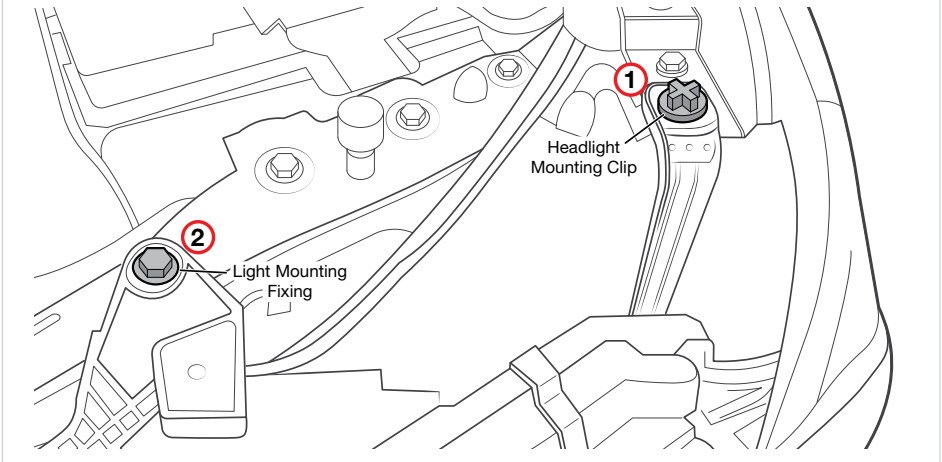


REMOVE MOUNTING CLIP AND FIXING

NOTICE: Removing factory fixings may expose to sharp surfaces and bare metal, resulting in rust. Retouch any exposed metal with rust inhibitor if it is not an earth connection.

On the left side of the vehicle, loosen the centre pin of the headlight mounting clip (1), then loosen the light mounting fixing (2) (refer to Figure 5). Loosening these fixings will allow for easier access when installing the Mounting Bracket assembly to the vehicle.

Figure 5: Loosening Mounting Clip and Fixing

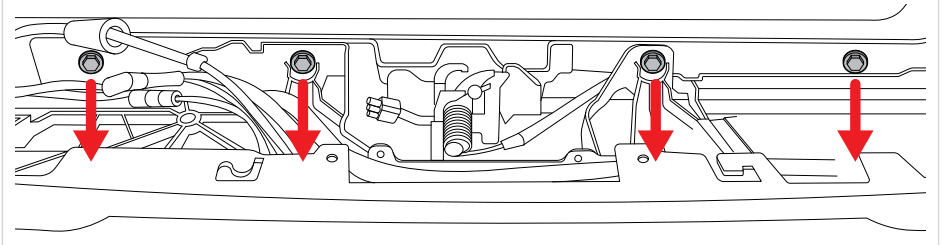


REMOVING MOUNTING FIXINGS

Remove the four mounting fixings as shown below. Removing the mounting fixings will loosen the plastic grill support frame to provide easier access when installing the Mounting Bracket assembly.

NOTE: Be extremely careful to not damage the cooler when completing this step.

Figure 6: Removing Mounting Fixings



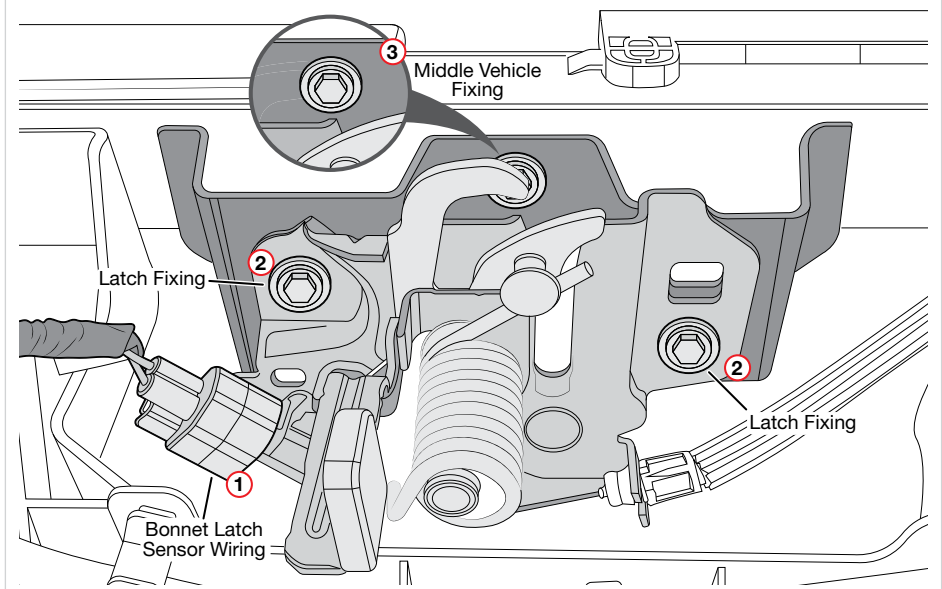
REMOVING VEHICLE FIXINGS AND BONNET LATCH SENSOR

Before fitting the Mounting Bracket assembly to the vehicle, refer to [Figure 7](#) and adhere to the following:

1. Unplug the bonnet latch sensor wiring (1).
2. Remove the two latch mounting fixings and carefully lift the bonnet latch sensor out of the way* (2).
3. Remove the middle vehicle fixing (3), this will be used to secure the Mounting Bracket assembly to the vehicle.

***NOTE:** Take note of the mounting position of the bonnet latch sensor to help for re-fitting.

Figure 7: Removing Mounting Fixings and Bonnet Latch Sensor



COMPLETE BATTERY CHARGER WIRING

NOTICE: Damage to cabling can cause failure to the Battery Charger and the vehicle's electrical system. Ensure wiring is clear of sharp edges, moving parts and has enough slack to allow for flexing.

Fit the Battery Charger with the wiring connected to the bracket before mounting in the vehicle. It is difficult to access the Battery Charger once the bracket is installed.

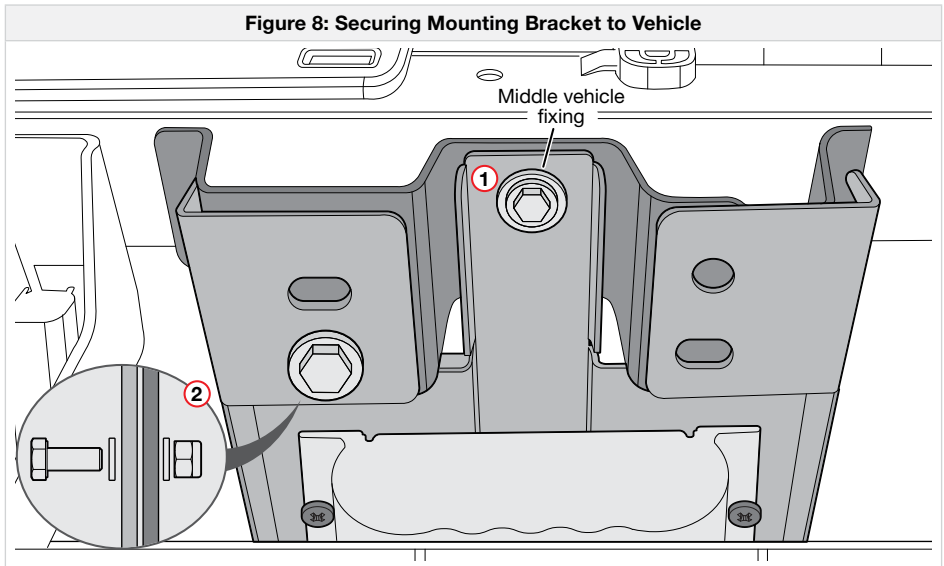
Complete the required wiring in accordance with your Battery Charger's Instruction Manual.

INSTALLATION

FITTING THE MOUNTING BRACKET TO THE VEHICLE

To fit the Mounting Bracket assembly to the vehicle, refer to [Figure 8](#) and adhere to the following:

1. Insert the Mounting Bracket assembly into the vehicle and align the top middle mounting point with the middle vehicle fixing hole, then re-fit the middle vehicle fixing (**1**).
2. Use one of the supplied M8 Bolts, two M8 Washers and one M8 Nut to secure the lower left mounting point (**2**). Fit a washer either side of the Mounting Bracket.
3. Tighten vehicle fixing to the vehicle manufacturers torque specifications and the M8 Bolt to 15 Nm (11.0 lbf-ft)



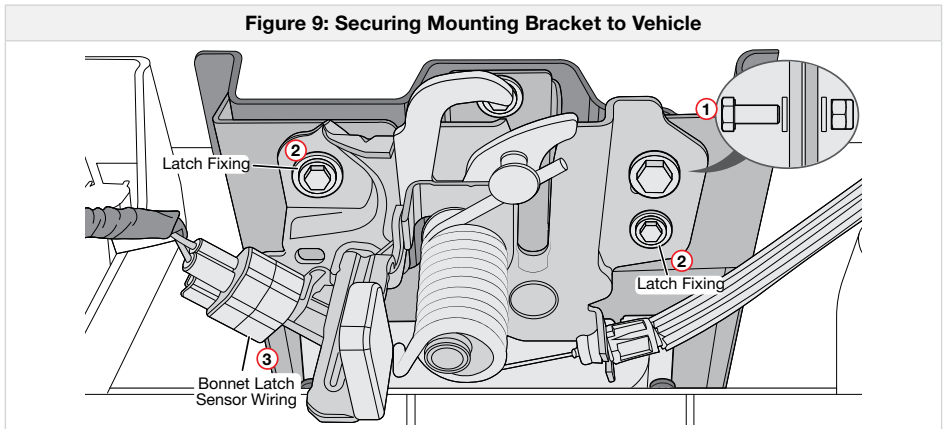
FINALISING INSTALLATION

RE-FITTING BONNET LATCH SENSOR

To secure the bonnet latch sensor back into place, fit the supplied M8 Bolt, M8 Washers and M8 Nut to the top right mounting point **(1)**, fitting a washer either side of the Mounting Bracket. Then re-install the two latch mounting fixings **(2)**.

Tighten the M8 Bolt to 15Nm (11.0 lbf-ft) and the vehicle fixings to vehicles manufacturers torque specifications.

Re-plug the bonnet latch sensor wiring **(3)** and test bonnet latch to ensure adjustment is not needed.



COMPLETED INSTALLATION

To complete the installation, adhere to the following:

1. Re-align the plastic grille and re-fit the four mounting fixings that were removed in [Figure 6](#). Then, tighten the headlight clip and light fixing that were loosened in [Figure 5](#).
2. Tighten all vehicle fixings to the vehicle manufacturers torque specifications.
3. Refit the cover panel using the screw clips removed during panel removal. These clips are secured when the centres are flush with the outer edge of the clip.

Once the cover panel is fitted back to the vehicle, the installation is complete.

MAINTENANCE

⚠ CAUTION: Ensure the area around the Battery Charger is clean and clear of debris. Any debris not removed will impair the performance of the unit and may cause a fire hazard.

NOTE: Regularly check your vehicle to avoid potential damage to the Battery Charger, your vehicle and batteries (both auxiliary and starter).

WARRANTY

LIMITED WARRANTY

For full warranty terms and conditions, visit the Warranty page of the REDARC website.

www.redarcelectronics.com/warranty

Australia, New Zealand, UK & Europe

REDARC Electronics Pty Ltd
23 Brodie Road (North),
Lonsdale SA 5160
Australia

Australia +61 8 8322 4848
New Zealand +64 9 222 1024
UK & Europe +44 (0)20 3930 8109

North America

REDARC Corporation
c/o Shallco, Inc.
308 Component Dr.
Smithfield, NC 27577
USA

USA +1 (704) 247-5150
Canada +1 (604) 260-5512
Mexico +52 (558) 526-2898

IMPORTER CONTACT INFORMATION

UK

Ozparts UK Ltd
1 Prospect Place
Pride Park
DE24 8HG, Derby
UK

Europe

Ozparts PI sp. z o. o.
ul. Slowackiego 32/5
87-100 Torun
Poland

Tech Support

1300 REDARC (1300-733-272)

Australia

+61 8 8322 4848

New Zealand

+64 9 222 1024

UK & Europe

+44 (0)20 3930 8109

USA

+1 (704) 247-5150

Canada

+1 (604) 260-5512

Mexico

+52 (558) 526-2898

redarcelectronics.com

THE POWER OF

REDARC[®]