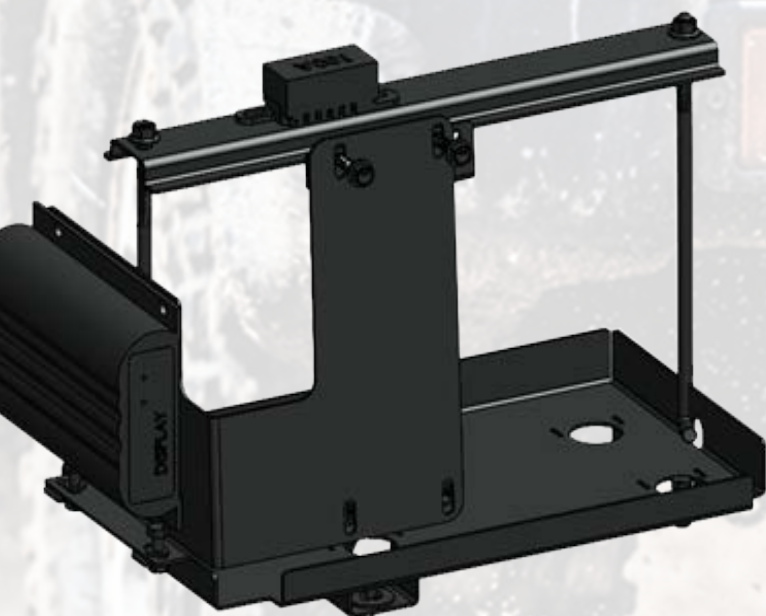


BATTERY TRAY

COMPATIBLE WITH GWM TANK300 PETROL ONLY 2022+



The new Roadsafe BT109-BLACK Battery tray is designed as a direct fit, adding a secondary battery in the GWM Tank300. Designed to house up to a N70 sized battery whilst utilising the factory mounting hardware and locations.

Newly designed battery tie down with mounting provisions to suit fuse holders and DCDC charger, ensuring a neat and efficient dual battery set up.

2MM THICK MILD STEEL
BUILT TOUGH TO GO THE DISTANCE

Compatible with N70-sized batteries
Includes mounting options for DCDC Charger
Sleek and efficient design

PART NUMBER	BARCODE
BT109-BLACK	9333189272250

Disclaimer: The BT109-BLACK is the battery tray only and does not include the DCDC charger.
*Manufacturers names and OE numbers included for reference purposes only.

ROADSAFE.COM.AU

A division of Specialist Wholesalers Pty, Ltd. ABN 64 163 280 279
VIC Ph: 03 8687 1700 | QLD Ph: 07 3737 7420 | Email: sales@roadsafe.com.au

