



Toyota Hilux KUN26 1KD-FTV

Direction-Plus™ Pre-Filter Kit Installation Guide

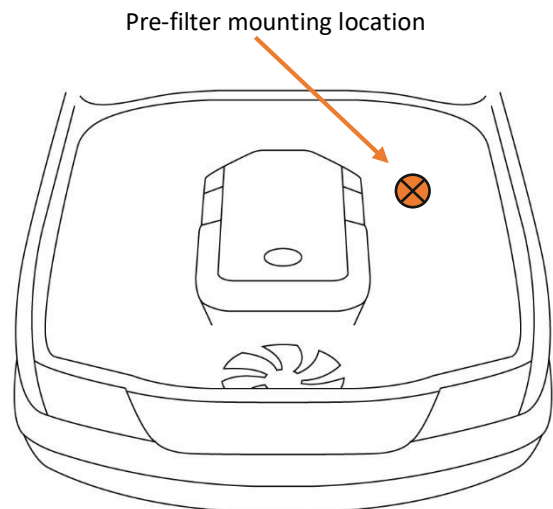
This document is to be used as a guide for the installation of the Direction-Plus™ Fuel Manager™ FM100 pre-filter Kit to a Toyota Hilux KUN26. It is recommended that the installation of the product be carried out by a competent qualified mechanic.

Important before starting

- Ensure the engine bay is clean and free from contaminates
- The fuel manager filter head has direction arrows indicating the direction of flow
- You have the correct tools to complete the fitment
- Read the instructions in full and familiarize yourself with the installation, before commencing any work

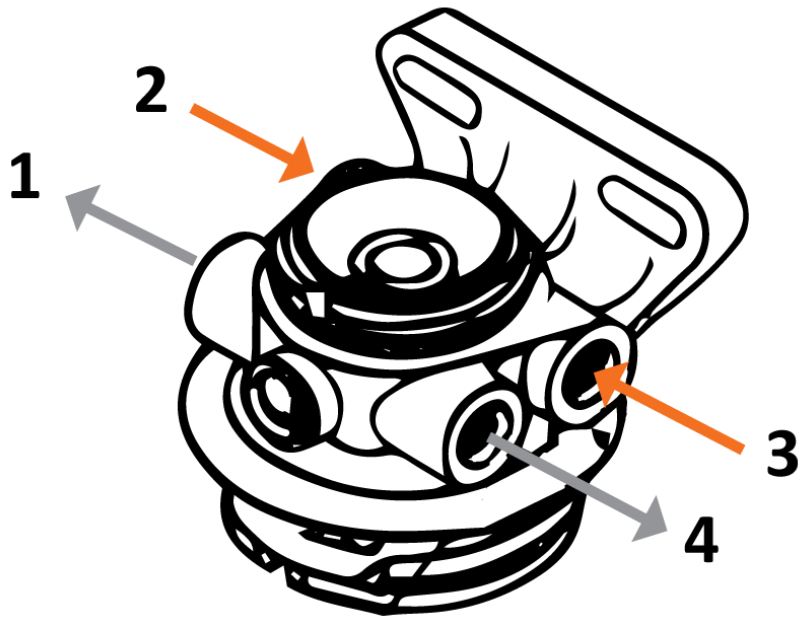
Kit contents

1/4" NPT STRAIGHT - 10MM 2 BOLTS 2 NUTS	2
4 WASHERS	1
BRACKET - HILUX	1
DFL10 - FUEL LINE RUBBER (10MM)	1
DP733-04 - 1/4 "NPT PLUG	2
ELEMENT ASSEMBLY 30M - 3.6"	1
FM ENGINE BAY LABEL	1
FM100 30 MICRON FILTER ASSY	1
HOSE CLAMP - 10MM	1
LOCTITE 567 THREAD SEALANT - 6ML	2
PUSH ON 90 DEG - 10MM	1
WINDSCREEN LABEL	2
	1



*Kit contents are subject to change based on component availability and/or refinement

Fuel Manager Pre-Filter Normal Flow Header Connection



Ports 2 and 3 = INLET
Ports 1 and 4 = OUTLET



Installation Guide

1. Disconnect factory fuel filter inlet hose from both ends and remove from the vehicle. Retain this hose in a safe place so the vehicle can be returned to factory in the future
2. The pre-filter will be mounted we be mounted on the passenger side inner guard, next to where the factor fuel filter is mounted
3. Disconnect the two plugs attached to the factory fuel filter
4. Remove the factory fuel filter from its mounting bracket and place off to one side
5. Remove the factory fuel filter mounting bracket
6. Place the pre-filter mounting bracket into the same location as the factory fuel filter
7. Using the factory bolts that were removed from the factory fuel filter mounting bracket, secure the pre-filter mounting bracket.
8. Using the supplied 10mm bolts, washers and nuts, mount the FM100 Fuel Manager pre-filter assembly filter to the engine side of the bracket. This will allow the fitment of a dual battery system.
9. Install the ¼ NPT adaptors into the filter head ports that are facing towards the rear of the vehicle using the supplied LOCTITE thread sealant.
10. Apply a small amount of LOCTITE thread sealant to the two black ¼ NPT plugs and install them into the two remaining ports in the pre-filter head.
11. Measure from the steel pipe on the firewall (this pipe comes from the tank) to the inlet port of the fuel manager head (the arrows on the head indicate direction of flow) and cut to length a piece of the supplied 10mm hose
12. Lubricate the barbed end of one push-lock fitting and the inside portion of the hose to be fitted with a push-lock fitting with diesel fuel or WD40
13. Insert the barbed end of one push-lock fittings into the pre-lubricated end of the hose. Ensuring that the hose stops firmly against the inside of the bell cover.
14. With the assembled hose, screw the push-lock fitting on to the inlet port of the pre-filter. Connect the other end of the same hose to the steel fuel line coming from the tank and secure using a supplied 10mm hose clamp
15. Lubricate the barbed end of the remaining push-lock fitting and the inside portion of the remaining hose to be fitted with a push-lock fitting with diesel fuel or WD40
16. Insert the barbed end of the remaining push-lock fittings into the pre-lubricated end of the hose. Ensuring that the hose stops firmly against the inside of the bell cover.
17. With the now assembled hose, screw the push-lock fitting on to the outlet port of the pre-filter.
18. Measuring the hose in place between the outlet port of pre-filter the inlet of the factory fuel filter, cut the hose to length
19. Connect the 10mm fuel hose to the inlet of the factory fuel filter and secure with a supplied 10mm hose clamp



20. Using the supplied nylon cable ties, secure any loose hose from rubbing on any other components
21. Bleed the fuel system by pumping the hand primer on the factory filter until firm
22. Start vehicle and run the vehicle, whilst checking all connections for leaks

END OF GUIDE