

Toyota Land Cruiser 200 series 1VD-FTV Direction-Plus™ Pre-Filter Kit Installation Guide

This document is to be used as a guide for the installation of the Direction-Plus™ Fuel Manager™ FM100 pre-filter Kit to a Toyota Land Cruiser 200 series 1VD-FTV. It is recommended that the installation of the product be carried out by a competent qualified mechanic.

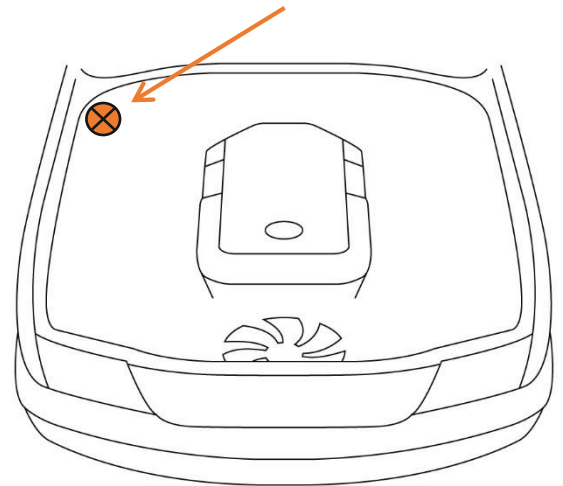
Important before starting

- Ensure the engine bay is clean and free from contaminants
- The fuel manager filter head has direction arrows indicating the direction of flow
- You have the correct tools to complete the fitment
- Read the instructions in full and familiarize yourself with the installation before commencing any work

Kit contents

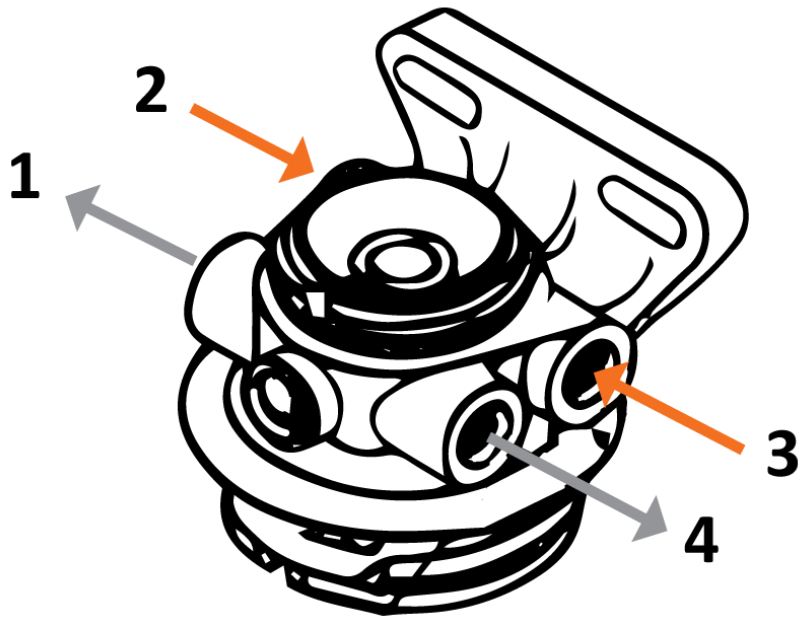
2x 1/4 "NPT STRAIGHT - 12MM
2 BOLTS 2 NUTS 4 WASHERS
3x BOLT - 6X25MM ZINC
1x BRACKET - L/CRUISER 200 SER 3 BATTERY
4x DFL12 - FUEL LINE RUBBER (12MM)
2x DP733-04 - 1/4 "NPT PLUG
1x ELEMENT ASSEMBLY 30M - 3.6""
1x FM ENGINE BAY LABEL
1x FM100 30 MICRON FILTER ASSY
2x FMC12 - CLAMP 12MM
1x LOCTITE 567 THREAD SEALANT - 6ML
4x P CLAMP 20MM
2x PUSH ON STRAIGHT - 12MM
1x WINDSCREEN LABEL

Pre-filter mounting location



*Kit contents are subject to change based on component availability and/or refinement

Fuel Manager Pre-Filter Normal Flow Header Connection



Ports 2 and 3 = INLET
Ports 1 and 4 = OUTLET



Installation Guide

1. In the space between the firewall and the air cleaner box on the driver's side of the vehicle place the pre-filter mounting bracket into the engine bay. The flat side of the bracket will face toward the brake reservoir
2. Align the three predrilled holes in base of the pre-filter bracket with the three captivated nuts in the inner guard.
3. Using the supplied 6mm bolts secure the pre-filter mounting bracket to the inner guard
4. Install the filter assembly to the bracket with the supplied 10mm bolts. Install the bolts so they are coming through from the brake fluid reservoir through the filter. Centre the filter in the slots to suit your vehicle so it doesn't contact on any surrounding parts and secure with the nuts/washers supplied.
5. Looking at the pre-filter assembly with the mounting flange facing away from you. Using a small amount of the supplied Loctite thread sealant and install the two ¼ NPT adapters into both left-hand ports on the pre-filter housing.
6. Using a small amount of the supplied Loctite thread sealant install the two black ¼ NPT plugs into the two remaining ports on the pre-filter head.
7. With one end of 12mm fuel hose, Lubricate the inside portion of one end using diesel fuel or WD40
8. Install one of the 12mm straight push-lock fittings into the pre-lubricated end of the 12mm fuel hose, ensuring that the hose stops firmly against the inside of the bell cover
9. Connect and tighten the just assembled hose and fitting to the inlet port of the pre-filter housing identified by the small arrow embossed just below the port, pointing inwards.
10. Route the 12mm fuel hose along the firewall across to the passenger side of the vehicle towards the steel fuel pipe coming from the fuel tank to the factory fuel filter.
11. Cut the 12mm fuel hose to length so that you still have enough fuel hose to connect to the steel fuel pipe
12. Disconnect and remove the fuel hose between the steel fuel pipe from the fuel tank and the inlet of the factory fuel filter.
13. Connect the 12mm fuel hose coming from the inlet of the pre-filter to the steel fuel pipe coming from the fuel tank and secure with a hose clamp
14. Take the remaining 12mm fuel hose and with one end, lubricate the inside portion of one end using diesel fuel or WD40
15. Install the remaining 12mm straight push-lock fitting into the pre-lubricated end of the 12mm fuel hose, ensuring that the hose stops firmly against the inside of the bell cover.
16. Connect and tighten the assembled hose and fitting to the outlet port of the pre-filter housing identified by the small arrow embossed just below the port, pointing outwards.



17. Following the other 12mm fuel hose, route the 12mm fuel hose along the firewall across to the passenger side of the vehicle towards the inlet of the factory fuel filter.
18. Connect the 12mm fuel hose coming from the outlet of the pre-filter to the inlet of the factory fuel filter and secure with a hose clamp. If required trim any excess fuel hose.
19. Using the supplied "P" clamps, carefully secure both 12mm fuel hoses along the top of the fire wall. Ensuring the hoses are not kinked and cannot contact any hot components.
20. Prime the fuel system by using the hand primer on top of the factory fuel filter, pump the primer until hard. Note this may take some time.
21. Remove any loose tools from the work area
22. Turn the ignition to the ON position and wait 5 seconds
23. Start the vehicle and allow to run for 2-3 minutes whilst checking for any possible leaks.

END OF GUIDE