



Nissan Navara D22 2.5 Direction-Plus™ Pre-Filter Kit Installation Guide

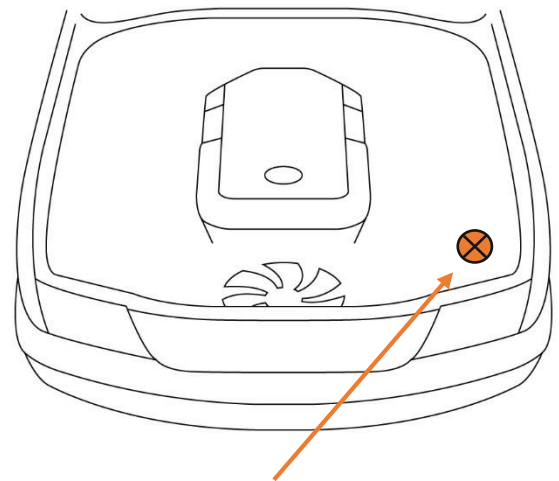
This document is to be used as a guide for the installation of the Direction-Plus™ Fuel Manager™ FM100 pre-filter Kit to a Nissan Navara D22 YD25. It is recommended that the installation of the product be carried out by a competent qualified mechanic.

Important before starting

- Ensure the engine bay is clean and free from contaminates
- The fuel manager filter head has direction arrows indicating the direction of flow
- You have the correct tools to complete the fitment
- Read the instructions in full and familiarize yourself with the installation, before commencing any work

Kit contents

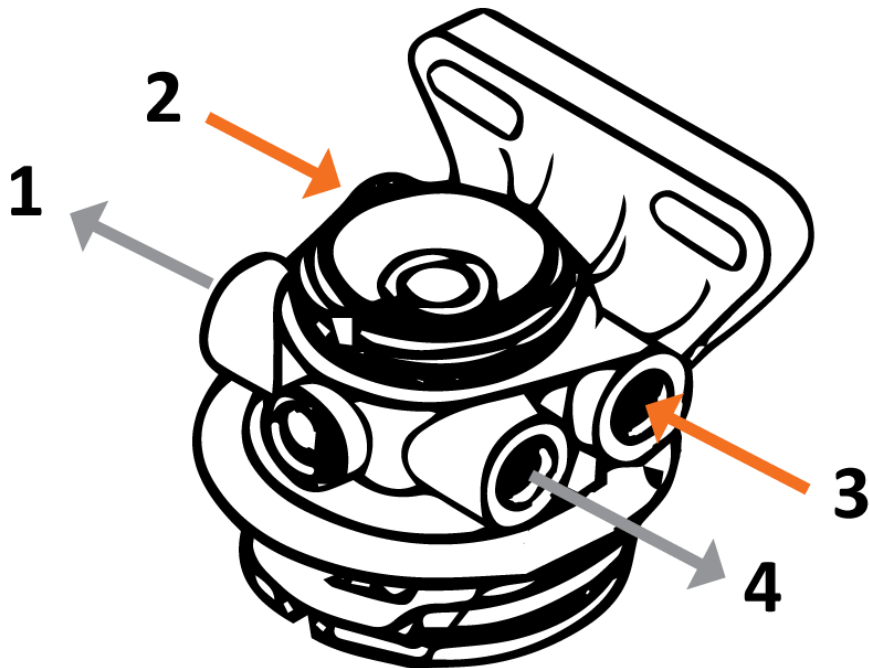
1/4" NPT STRAIGHT - 10MM	2
2 BOLTS 2 NUTS 4 WASHERS	1
BOLT - 6X25MM ZINC	4
BRACKET - FUEL MANAGER BRACKET NAVARA D2	1
DFL10 - FUEL LINE RUBBER (10MM)	2
DP733-04 - 1/4 "NPT PLUG	2
ELEMENT ASSEMBLY 30M - 3.6"	1
FM ENGINE BAY LABEL	1
FM100 30 MICRON FILTER ASSY	1
HOSE CLAMP - 10MM	2
LOCTITE 567 THREAD SEALANT - 6ML	1
NUT - NYLOC 6MM	4
PUSH ON 90 DEG - 10MM	2
WASHER - 6MM	4
WINDSCREEN LABEL	1



Pre-filter mounting location

*Kit contents are subject to change based on component availability and/or refinement

Fuel Manager Pre-Filter Normal Flow Header Connection



Ports 2 and 3 = INLET
Ports 1 and 4 = OUTLET



Installation Guide

1. Remove the hose from the inlet side of the original fuel filter
2. With the flat side facing towards the rear of the vehicle. Place the pre-filter mounting bracket into location on the passenger side of the vehicle between the headlight and the air filter box
3. Using the supplied four 6mm bolts and nuts secure the pre-filter bracket to the inner guard
4. Using the supplied 10mm bolts, washers and nuts, mount the FM100 Fuel Manager pre-filter assembly filter to the backside of the bracket
5. Install the ¼ NPT adaptors into the filter head ports that are closest to the fender using the supplied LOCTITE thread sealant.
6. Disconnect factory fuel filter inlet hose from both ends and remove from the vehicle. Retain this hose in a safe place so the vehicle can be returned to factory in the future
7. Measure from the steel pipe on the firewall (this pipe comes from the tank) to the inlet port of the fuel manager head (the arrows on the head indicate direction of flow) and cut to length a piece of the supplied 10mm hose
8. Lubricate the barbed end of one push-lock fitting and the inside portion of the hose to be fitted with a push-lock fitting with diesel fuel or WD40
9. Insert the barbed end of one push-lock fittings into the pre-lubricated end of the hose. Ensuring that the hose stops firmly against the inside of the bell cover.
10. With the assembled hose, screw the push-lock fitting on to the inlet port of the pre-filter. Connect the other end of the same hose to the steel fuel line coming from the tank and secure using a supplied 10mm hose clamp
11. Lubricate the barbed end of the remaining push-lock fitting and the inside portion of the remaining hose to be fitted with a push-lock fitting with diesel fuel or WD40
12. Insert the barbed end of the remaining push-lock fittings into the pre-lubricated end of the hose. Ensuring that the hose stops firmly against the inside of the bell cover.
13. With the now assembled hose, screw the push-lock fitting on to the outlet port of the pre-filter.
14. Measuring the hose in place between the outlet port of pre-filter the inlet of the factory fuel filter, cut the hose to length
15. Connect the 10mm fuel hose to the inlet of the factory fuel filter and secure with a supplied 12mm hose clamp



16. Apply a small amount of LOCTITE thread sealant to the two black ¼ NPT plugs and install them into the two remaining ports in the pre-filter head.

17. Using the supplied nylon cable ties, secure any loose hose from rubbing on any other components

18. Bleed the fuel system by pumping the hand primer on the factory filter until firm

19. Start vehicle and run the vehicle, whilst checking all connections for leaks

END OF GUIDE